


Country of Origin : China
 Operating Temperature : 0~40 [°C]
 Dimension : 64 x 40.5 x 25.5 [mm]
 Efficiency level (ErP) : 



Approvals / Marks :



Features:

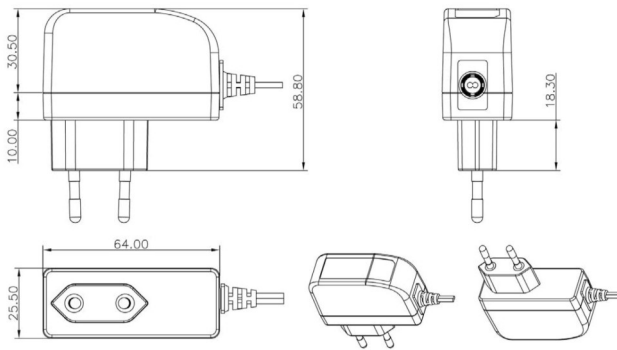
Overload, over voltage & short protection.	PSU housing ready for use in country :	
Wide range Input (90 ~ 264) VAC / (47 ~ 63) Hz.	USA/Japan/ (type W2)	Europe (type W2E)
Wall-mount power supply, single output.	Australia (type W2A)	Korea (type W2K)
For I.T.E. use only + RoHS conform.	UK (type W3U)	China (type W2C)

Specification:

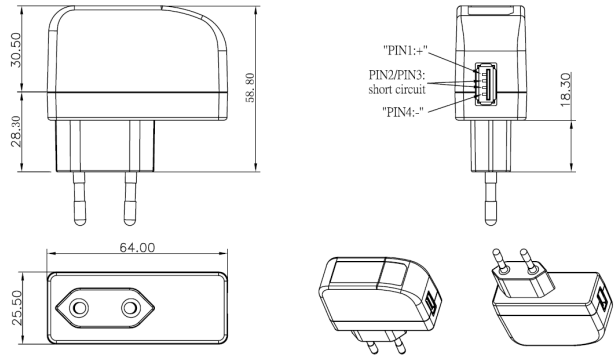
	Model	Voltage DC [V]	Loading [A]	Tol. [%]	OCP [A]	OVP [V]	Efficiency [%]	Max. Power [W]	Ripple & Noise [mV] p-p	Connector UL approval [mm]
ErP V.	SYS1421-0605-Wxx	5	0~1.2	±5	1.5~3.5	12±4	>69.53	6	150	2.1x5.5x11
	SYS1421-0605-Wxx	5	0~1.2	±5	1.3~3.0	12±4	>68.10	6	150	mini USB
	SYS1421-0605-Wxx	5	0~1.2	±5	1.3~3.0	12±4	>66.49	6	150	micro USB
	SYS1421-0605-Wxx	5	0~1.2	±5	0.75~2	12±4	>62.97	6	150	USB inlet
	SYS1421-0612-Wxx	12	0~0.5	±5	0.6~2.0	17±4	>73.41	6	150	2.1x5.5x11
ErP V. / CE only	SYS1421-0303-Wxx	3.3	0~1.0	±5	1.2~2.5	8	>62.00	3.3	150	2.1x5.5x11
Wxx	Possible to order with	Wxx = W2E - Europe W2 - USA,Canada,Japan W3U - UK W2A - Australia W2C - China W2K -Korea								
OEM Production	This model is certified for Uout= 5V & Pout=(2.5 or 4 or 5 or 6)W and Uout=12V/Pout=6W									
OUTPUT	Turn on delay	3000 ms max @ AC low line input@output full load								
	Hold up time	8ms min @ AC nominal input@ output full load (> half cycle)								
	Efficiency (Normal)	In the table above minimum average efficiency in active mode (Meet EuP2)								
	Transient response (dv, tmax)	0.4V dv max @ AC nominal input loading from 20% load to 80% load 6ms tmax Dynamic rise time 10uS max, duty 40mS max, Dynamic load step is slew rate of 0.5A/uS								
	Power out. Limit	Peak 7W for model- 0605								
	Burn in test	Full load 2 Hours before testing								
INPUT	Voltage	(90 ~ 264)VAC								
	Frequency	(47 ~ 63) Hz								
	Current	0.5A rms @ AC low line input and DC output full load								
	Inrush Surge Current (cold start)	30/60A max @ power supply cold start, ambient temperature 25°C@115Vac / 230Vac nominal AC input.								
	Leakage current	0.25 mA Max.								
	Power consumption	0.3W rms max. At AC nominal input @ output min load								
PROTECTION	Over Current /Short protection	The power supply will self-protect any output to ground, and auto recovery when abnormal circuit faults remove. An output short circuit is defined as any output impedance of less than 0.1 ohms. [OCP]								
	Over Voltage	The power supply will not be auto recovered when faults remove >>Voltage limit<< [OVP]								
	Input protection	1A Fuse or 10R2W The power supply shall be protected against power line surges and any abnormal condition.								
	No load protection	The power supply is provided with no load operation to prevent the power supply and system from damage.								
	Protection class	II.								
OTHERS	Dielectric Strength (Hi-pot)	Primary to Secondary: 3000VAC / 10mA / 60s								
	M.T.B.F	500,000 Calculated Hours at 25°C, by Telcordia SR-332								
	Cable length / type	Standard 2468#24/5ft for USB products round cable 1185#22/6ft for SYS1421-0303 2468#22/4,5ft or depends on customer requirements.								
	PLD (power line disturbance)	LINE POWER SURGE LINE VOLTAGE SAG – more information will be provide on request								
	Cooling method	By natural air								
	Temperature coefficient:	< ±0.5% / °C								
ENVIRONMENT	Temperature	Operating: (0 ~ 40)°C / Storage: (-20 ~ 85)°C								
	Humidity	Operating: 8% ~ 90% RH / Storage: 5% ~ 95% RH non condensing								
SAFETY	CE GS CB cULus FCC PSE KC RCM CCC SAA EAC									
CE	EMC	2014/30/EU								
	LVD	2014/35/EU EN60950-1 : 2006 + A11 + A1 + A12 + A2								
WEIGHT	1pc	N.W.: 79g G.W.: 95g								
PACKING	Box	0.435(L) x 0.370(W) x 0.175(H) [m]								
		100 pcs / 1box G.W.: 10.5kg/box								

Mechanical case specification:

1) SYS1421-series (EU)

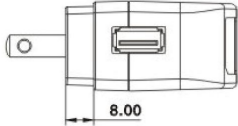


2) SYS1421-series (EU) / USB inlet

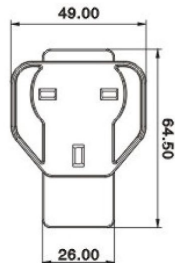


Mechanical specification (country housing):

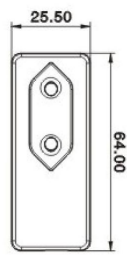
US / Japan type (W2)



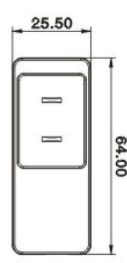
UK type (W3U)



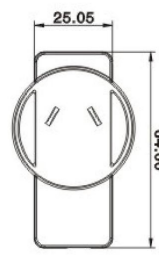
Europe type (W2E)



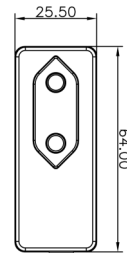
China type (W2C)



Australia type (W2A)

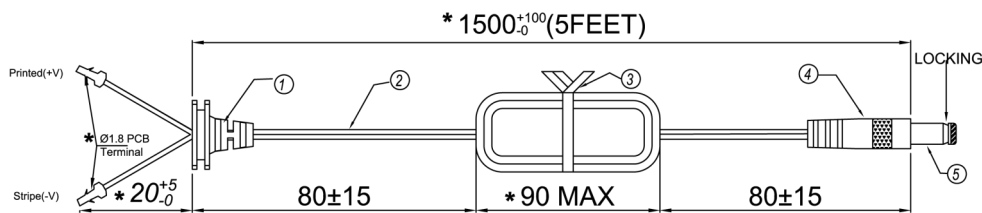


Korea (type W2K)

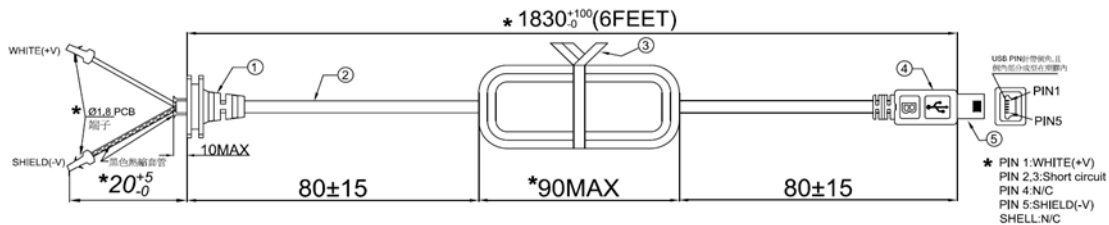


Cable specification:

a) 2.1*5.5*11 (2468#24*2C / 5FT) * for SYS1421-0303 (2468#22*2C / 4.5FT)



b) mini USB (1185#22*1C+SHIELD / 6FT)



c) micro USB (1185#22*1C+SHIELD / 6FT)

