

Country of Origin : China
 Operating Temperature : 0~40 [°C]
 Dimension : 64 × 27 × 39 [mm]
 Efficiency level (ErP) : VI



Approvals / Marks :



Specifications

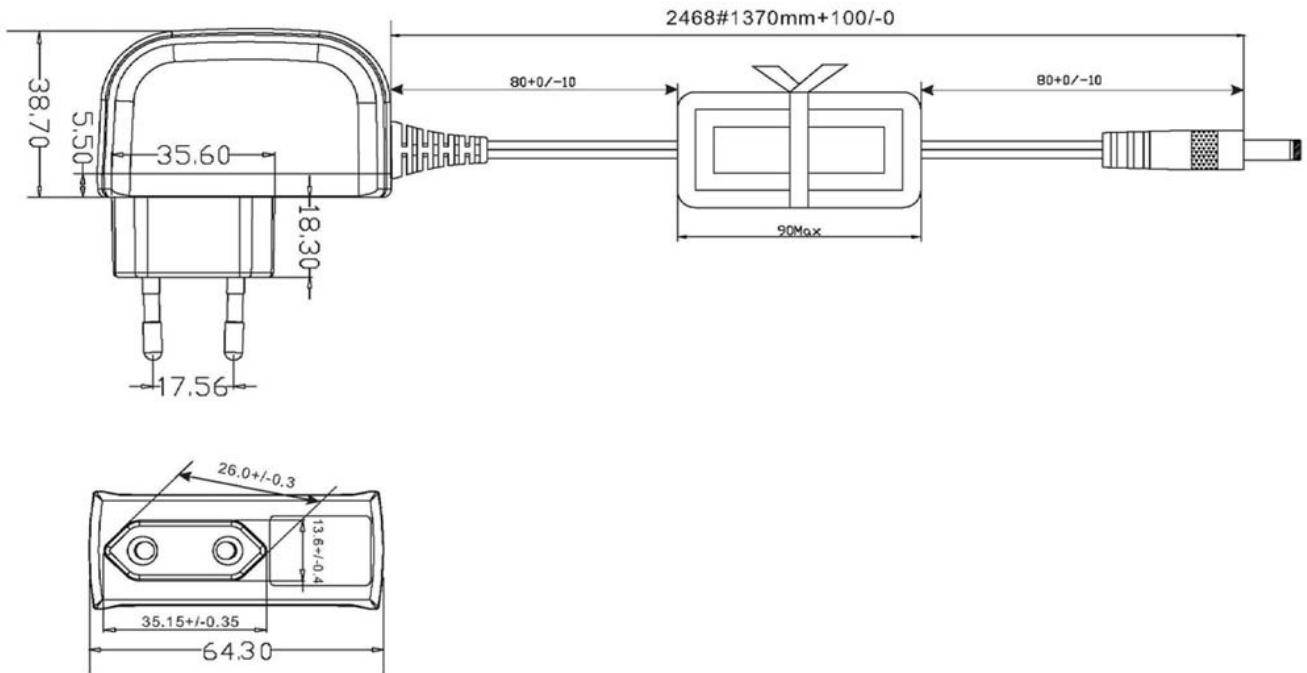
Model	Voltage DC [V]	Loading [A]	Max. Power [W]	Ripple / Noise [mV] p-p	Connector [mm]
SYS1001-0303-W2E	3.3	0~1	3.3	200	2.1x5.5x11

Features:

Output connector: standard: 2.1 x 5.5 x 11mm or customer requirement | Regulated Output With Low Ripple Noise | Safety Agency Requirements and EM/EMS Certified
 Private Label Marking Available | Modified and Custom Design Available | 2 Years Warranty

OUTPUT		CE	
Turn delay	3000 ms max @ AC low line input@output full load	EMC	2014/30/EU
Hold up time	8ms min@AC nominal input@output full load (>half cycle)	LVD	2014/35/EU EN 62368-1:2014+A11:2017
Efficiency (Normal)	>70.4%@115v/60HZ,230V/50HZ input &Full load	SAFETY	
Burn in limit	Full load 2 Hours	GS CE CB EAC	
Power consumption	Less than 0.1W rms max. At AC nominal input@output no load	OTHERS	
INPUT		Dielectric Strength(Hi-pot)	Primary to Secondary:3000VAC 10mA/60S
Voltage	(90~264)VAC	M.T.B.F	500,000 Calculated Hours at 25°C, by Telcordia SR-332
Frequency	(47~63)hz	Cable Length	1370mm (4.5 feet) standard cable or as required
Current	0.5A rms @ AC low line input and DC output full load	PLD (power line disturbance)	Line power surge Line voltage SAG-more info on request
Inrush Surge Current (cold start)	30/40A max@power supply cold start,ambient temperature 25°C @100Vac/230Vac nominal AC input	Cooling method	Natural Convection Cooling
leakage current	5mA Max	Housing material	PC
PROTECTION		Temperature coefficient:	< ±0.5% / °C
Over current/ Short protection	The power supply will self-protect any output to ground and auto recovery when abnormal circuit faults remove. An output short circuit is defined as any output impedance of less than	ENVIRONMENT	
Over Voltage	The power supply will be auto recovered when faults remove	Temperature	Operating: 0~40°C / Storage: -20~85°C
Input protection	The switching adaptor use 0.68/4.7/10 Ω resistance fuse.	Humidity	Operating: 8%~90%RH / Storage: 5%~95% RH non condens-ing
No Load protection	The power supply is provided with no load operation to prevent the power supply and system from damage.	WEIGHT	
Protection class	II	1PC	NW: 65g/pc
			GW: 80g/pc
		PACKING	
		PE plastic bag	100 pcs /1 box

Mechanical specification:



Cable specification:

